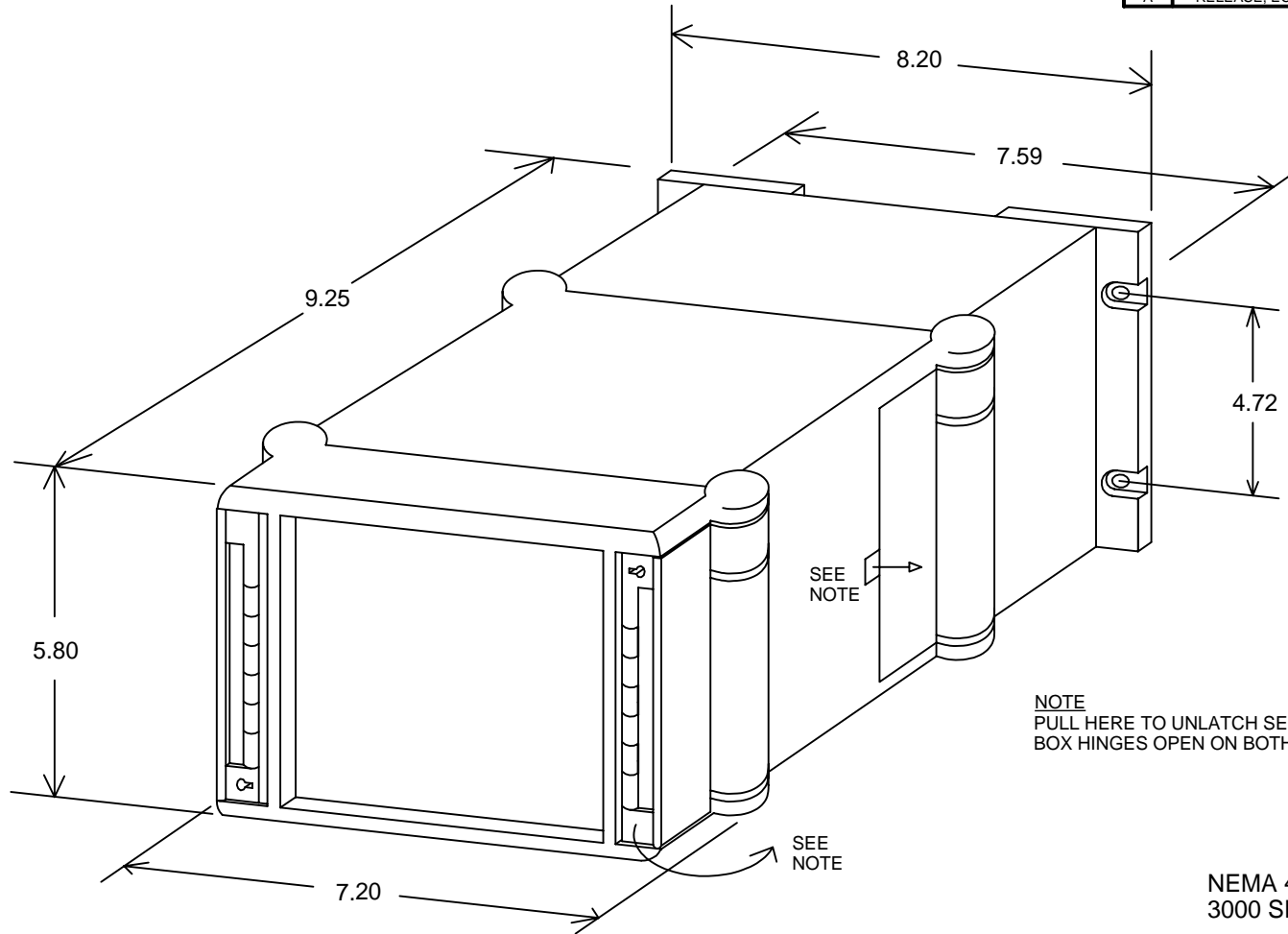


DWG NO. 516535 SH 1

| REV | DESCRIPTION        | DATE     | APPROVED |
|-----|--------------------|----------|----------|
| A   | RELEASE, ECN 3365A | 10-21-01 | AG       |



MOUNTING HOLES  
7.59 x 4.72 CENTERS  
0.23 HOLE DIAMETER  
0.40 SLOT WIDTH

NOTE  
PULL HERE TO UNLATCH SECTIONS.  
BOX HINGES OPEN ON BOTH SIDES.

NEMA 4X ENCLOSURE FOR 1 OR 2  
3000 SERIES PANEL METERS

This Drawing is the sole property of DEVAR Inc., and is submitted on the understanding that the contents hereof are not to be disclosed to third persons without prior permission.

UNSPECIFIED DIMENSION TOLERANCE  
DECIMAL +/- 0.005"  
FRACTION +/- 1/64"  
ANGLE +/- 1/2 DEGREE

MATERIAL ABS BODY  
POLYCARBONATE  
CLEAR DOOR

FINISH -N/A-

NEXT ASSY NO. BM516193-0100

CONTRACT NO.

|          |     |         |
|----------|-----|---------|
| REDRAWN  | RNT | 4-15-07 |
| CHECKED  |     |         |
| MECH     |     |         |
| ELEC     |     |         |
| DESIGN   |     |         |
| APPROVED |     |         |

APPROVED

**DEVAR Inc.**

706 Bostwick Avenue, Bridgeport, Conn. 06605  
TEL: (203) 368-6751 FAX: (203) 368-3747

NEMA-4X ENCLOSURE,  
GENERAL DIMENSION

|       |             |        |
|-------|-------------|--------|
| SIZE  | DRAWING NO. | REV    |
| B     | 516535      | A      |
| SCALE | WT          | SHEET  |
| NONE  |             | 1 OF 1 |

